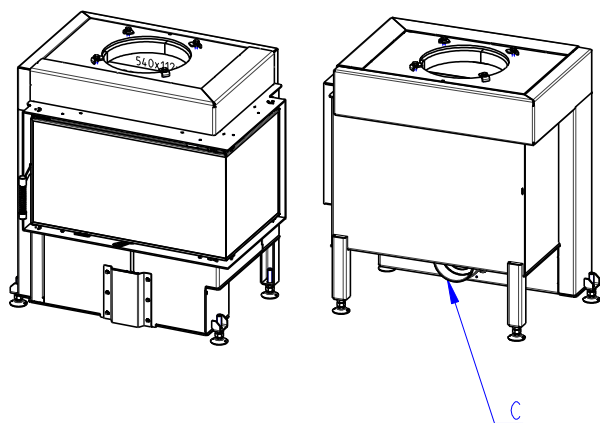
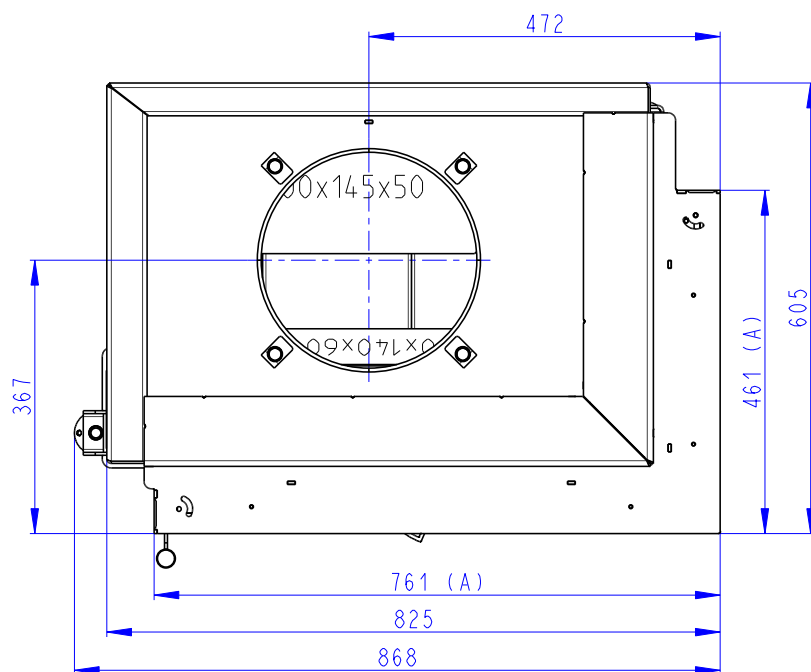
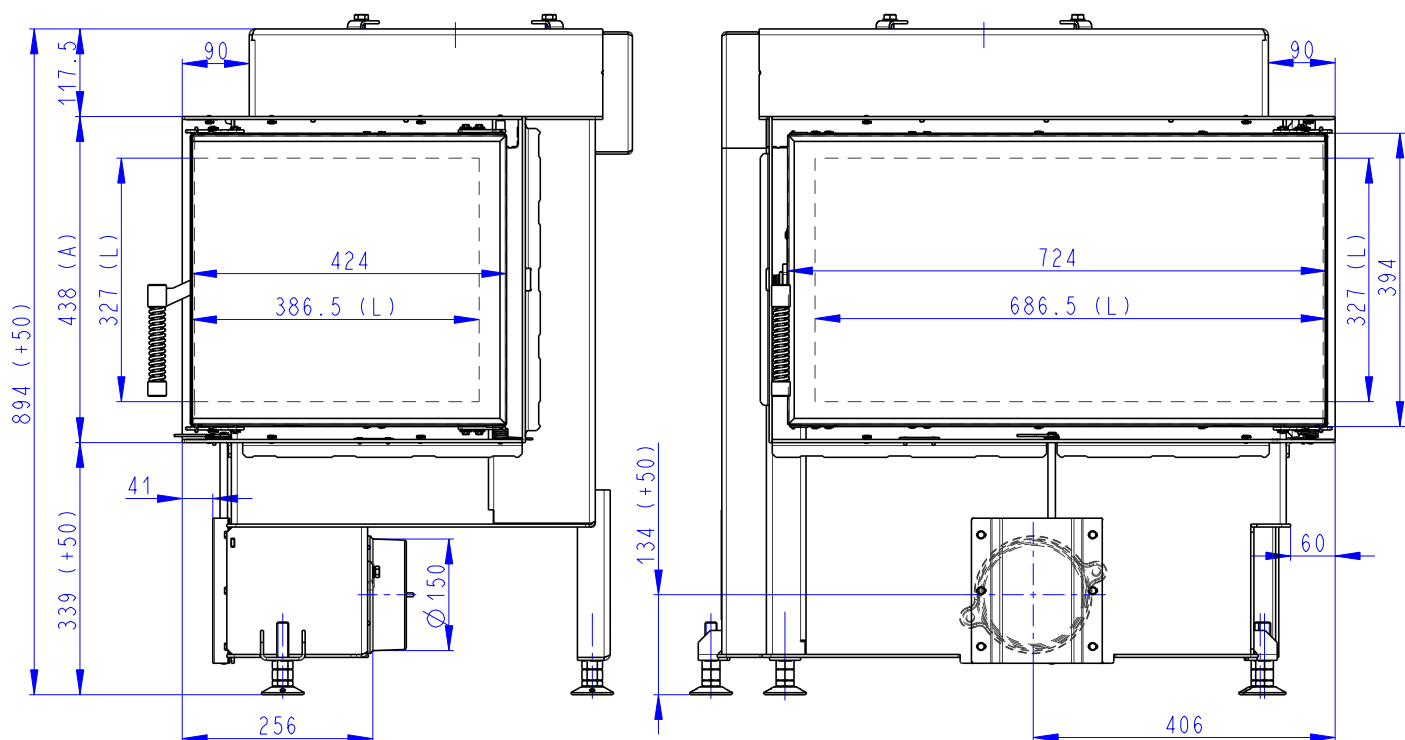


Rozměry v mm
Maße in mm
Dimensions in mm

DYNAMIC R 3G S 72.44.42.21

222 kg

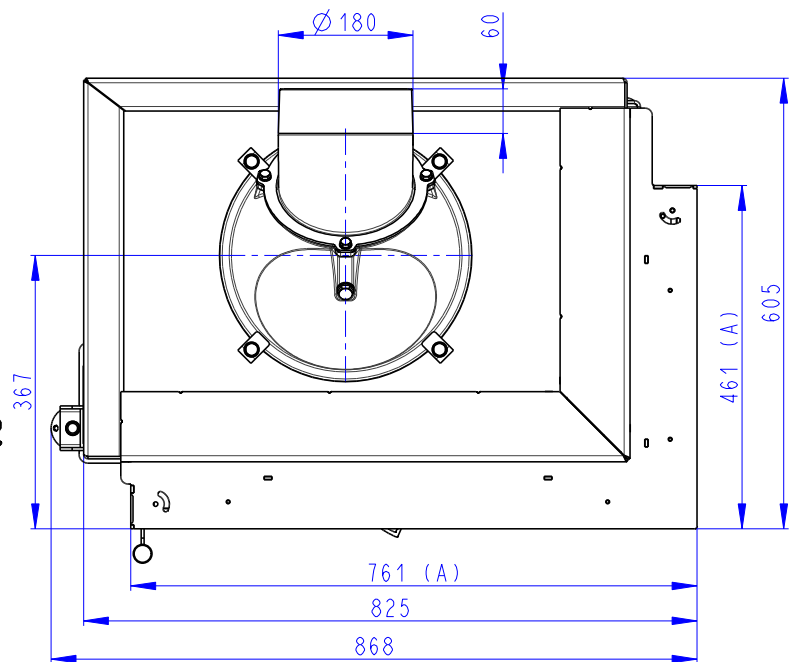
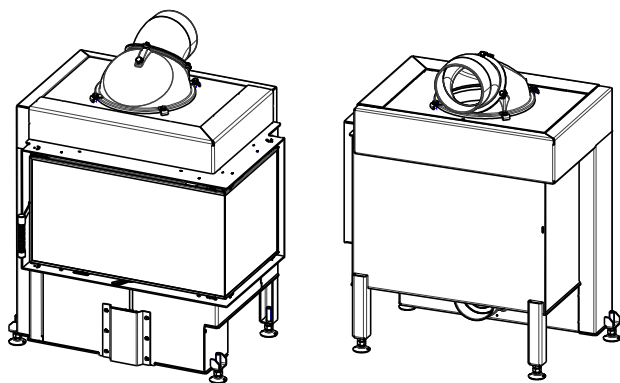
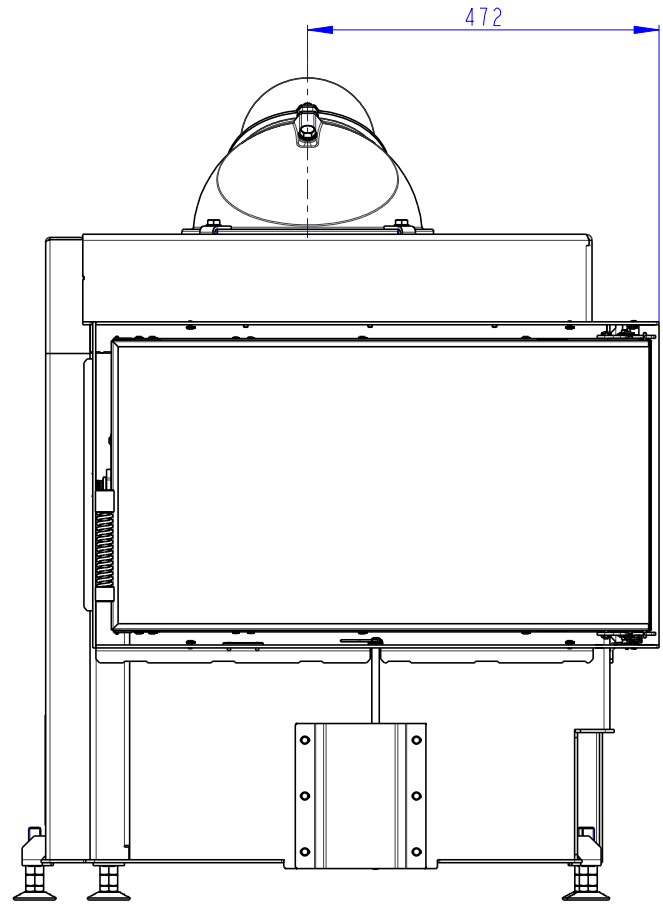
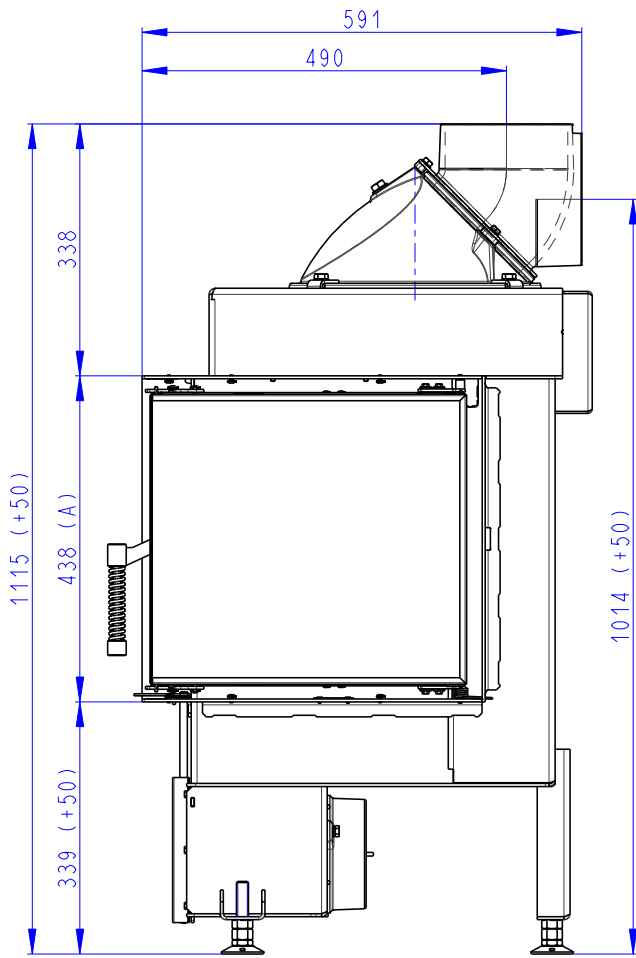


(A) Zastavbovy rozmer / Baumaße / In-built dimension
(C) Centralni privod vzduchu / Central air inlet / Zentralluftzufuhr
(L) Volna plocha proskleni / Free glass area / Freie Glassichtfläche

Rozměry v mm
 Maße in mm
 Dimensions in mm

DYNAMIC R 3G S 72.44.42.21 + D3 KPL 180

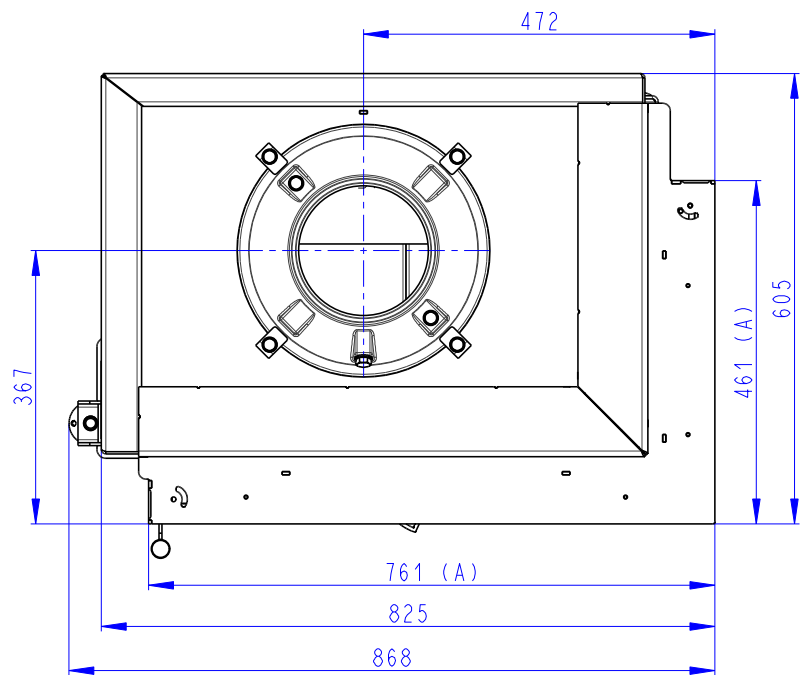
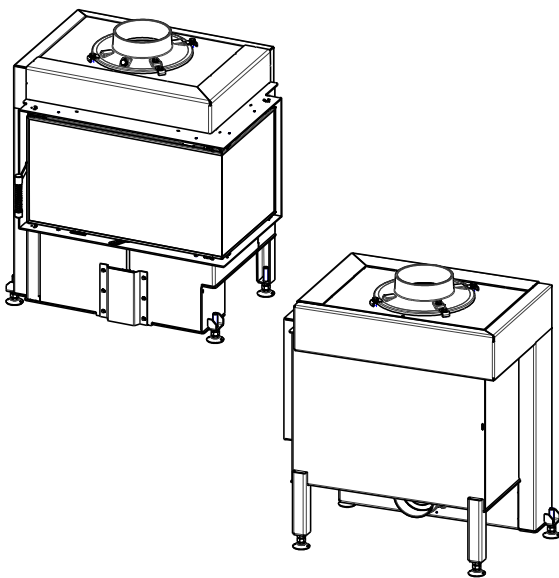
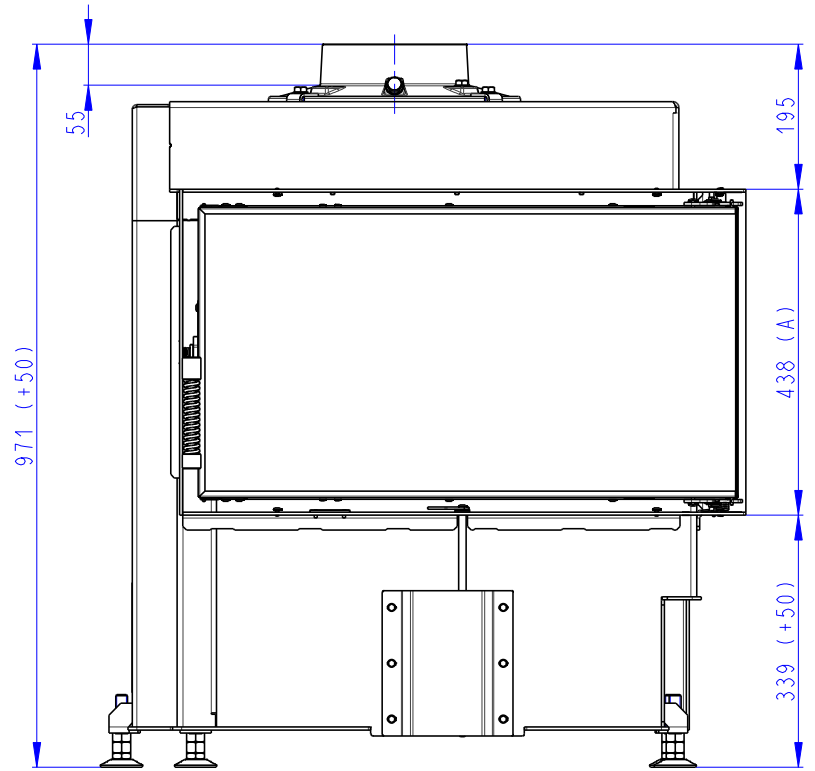
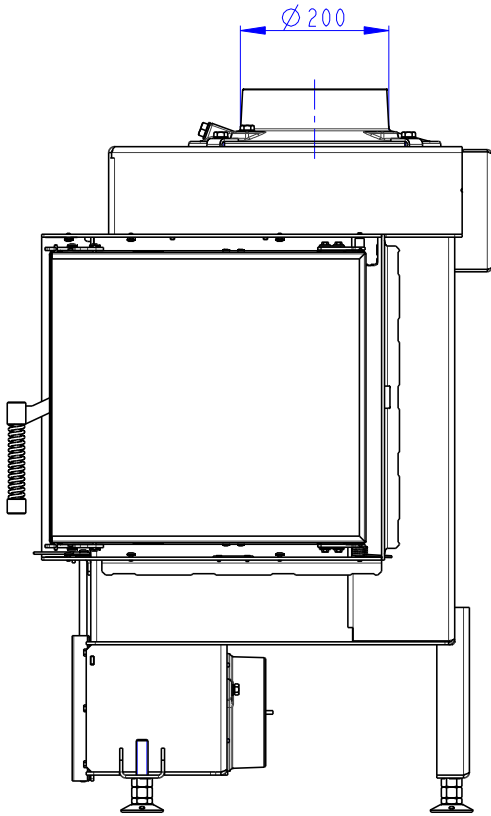
237 kg



(A) Zastavbovy rozmer / Baumaße / In-built dimension
 (C) Centralni privod vzduchu / Central air inlet / Zentralluftzufuhr

Rozměry v mm
 Maße in mm
 Dimensions in mm

DYNAMIC R 3G S 72.44.42.21
 + D3 PR 200
 231 kg

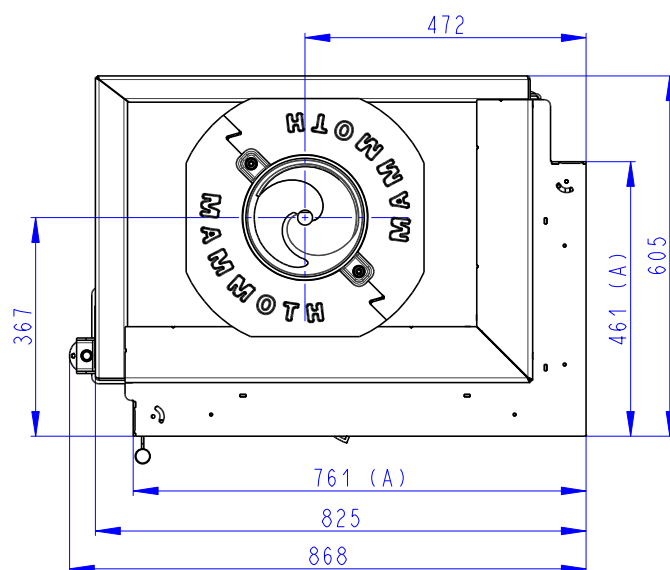
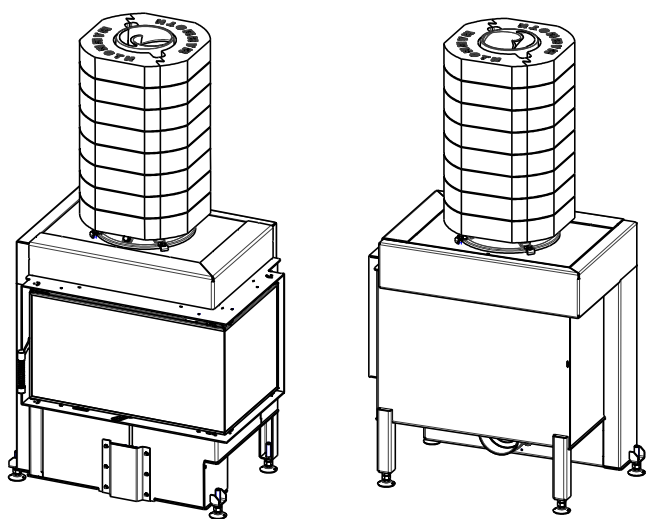
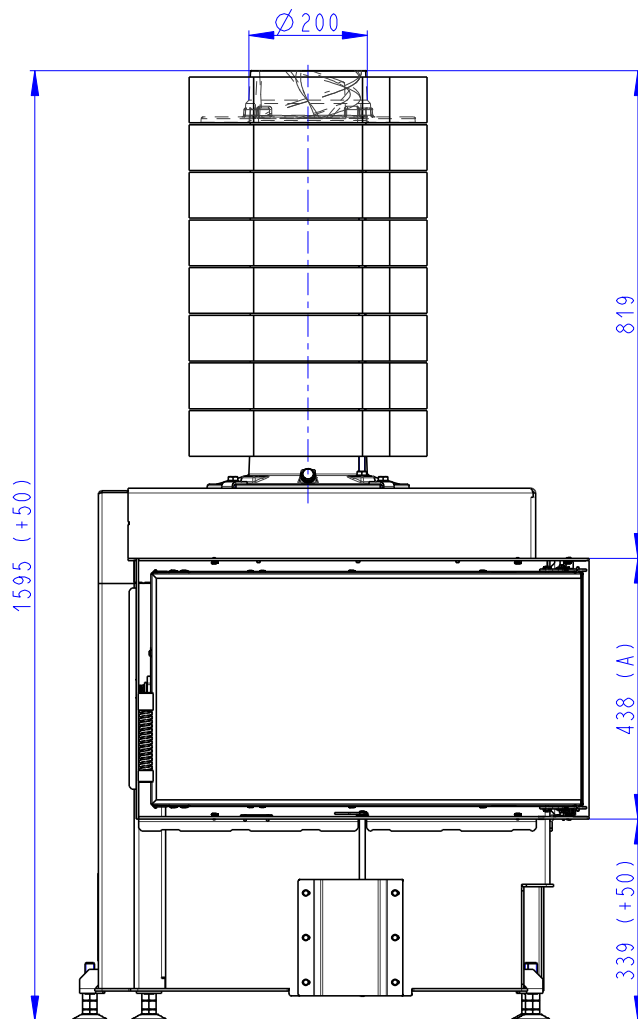
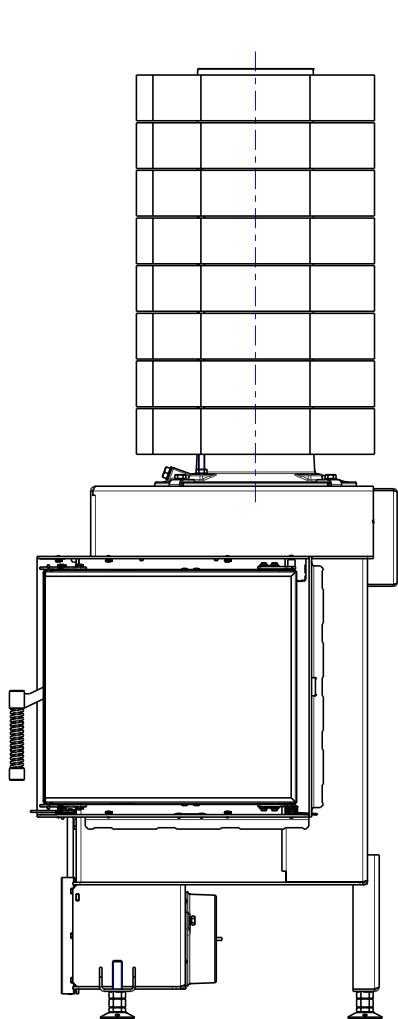


(A) Zastavbovy rozmer / Baumaße / In-built dimension
 (C) Centralni privod vzduchu / Central air inlet / Zentralluftzufuhr

Rozmery v mm
Maße in mm
Dimensions in mm

DYNAMIC R 3G S 72.44.42.21
+ D3 PR 200 + AKKUM KV 08B

539 kg

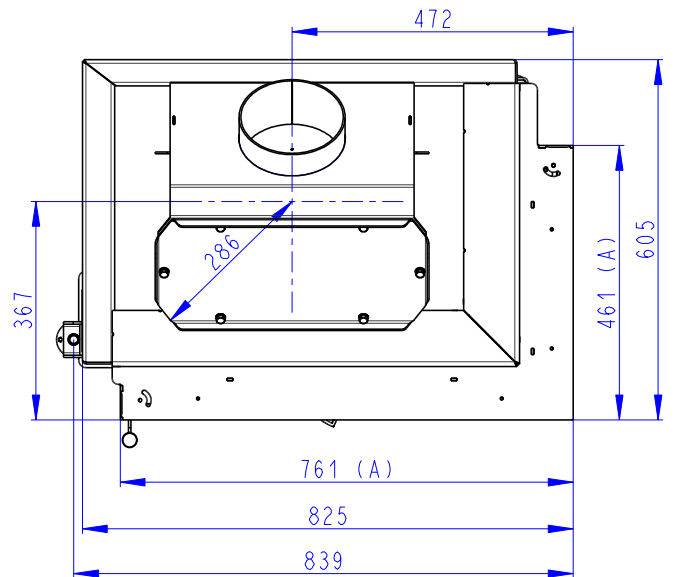
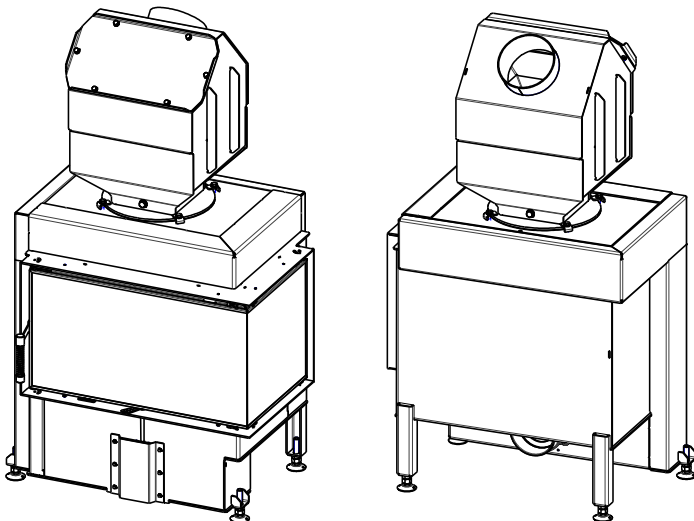
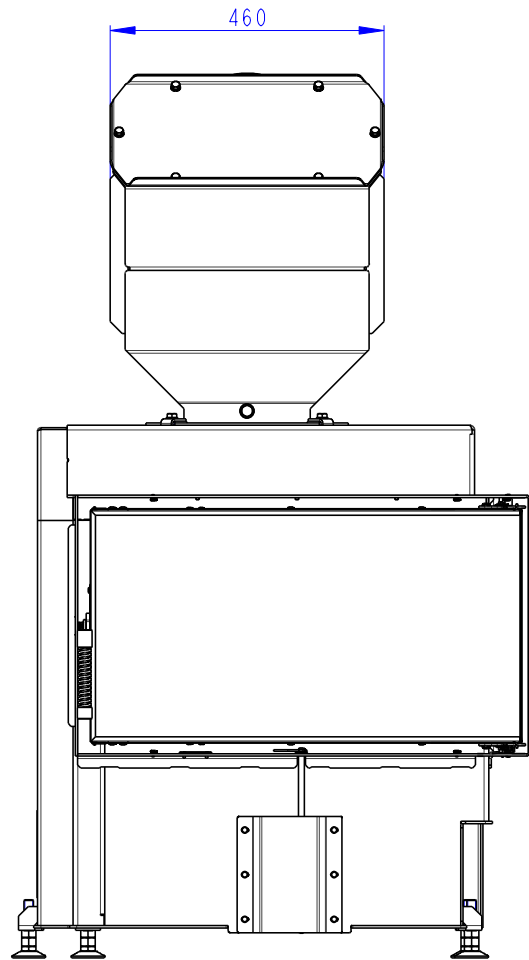
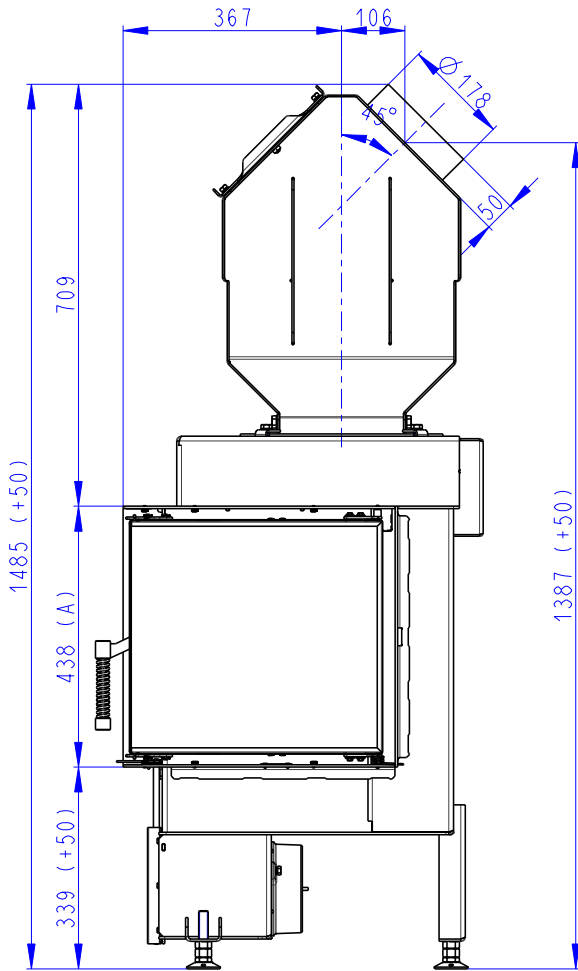


(A) Zastavbovy rozmer / Baumaße / In-built dimension
(C) Centralni privod vzduchu / Central air inlet / Zentralluftzufuhr

Rozměry v mm
 Maße in mm
 Dimensions in mm

DYNAMIC R 3G S 72.44.42.21
 + D3 VY01

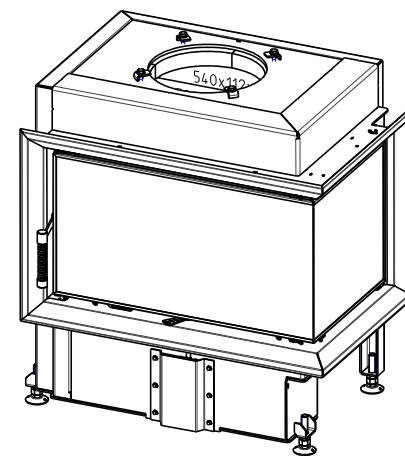
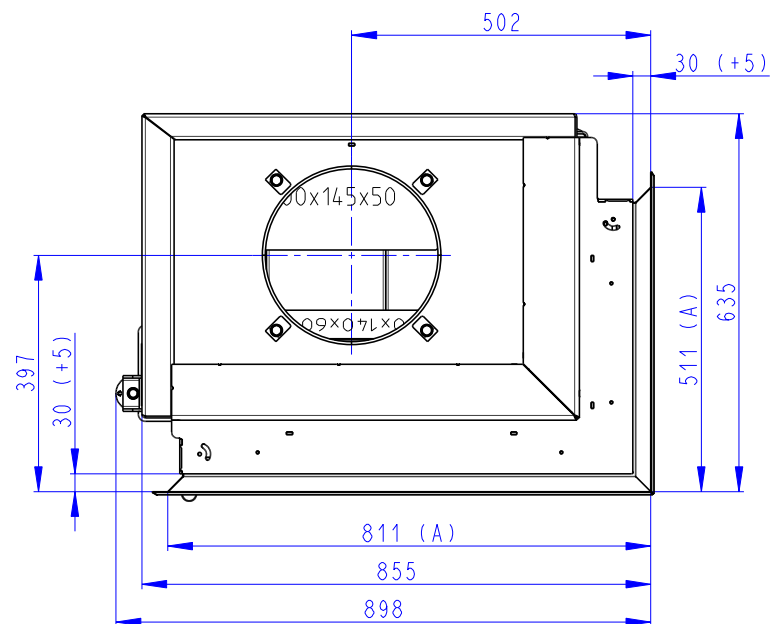
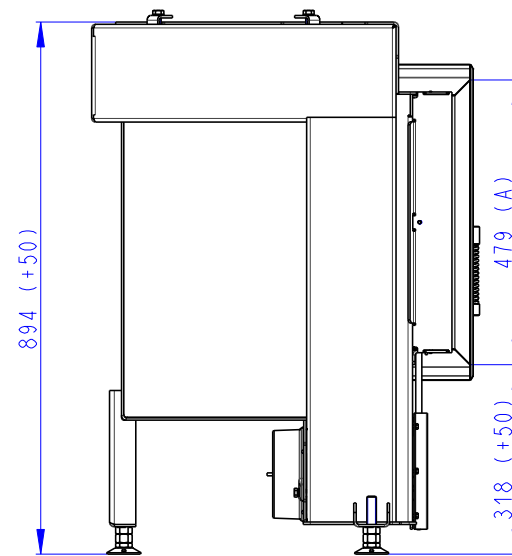
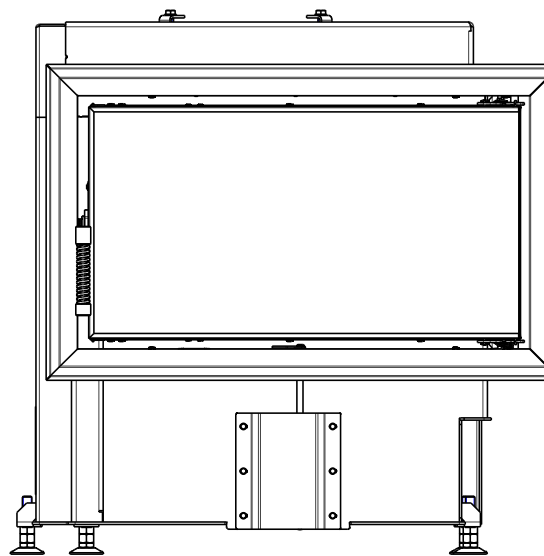
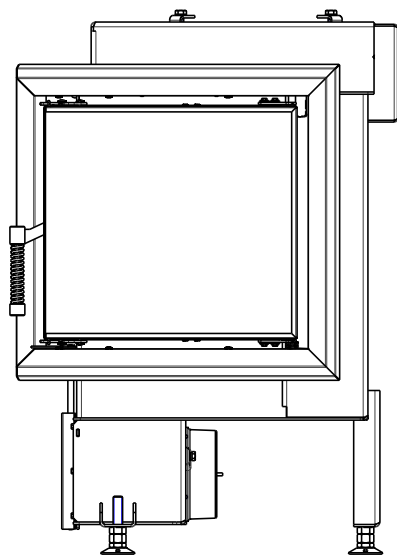
269 kg



(A) Zastavbovy rozmer / Baumaße / In-built dimension
 (C) Centralni privod vzduchu / Central air inlet / Zentralluftzufuhr

Rozmery v mm
Maße in mm
Dimensions in mm

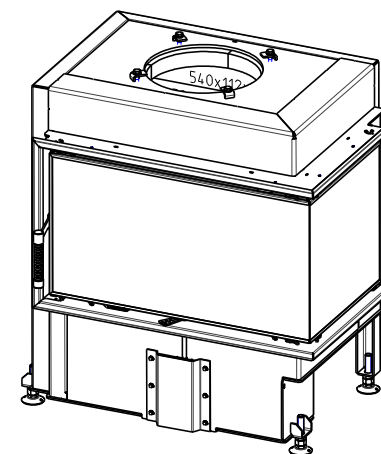
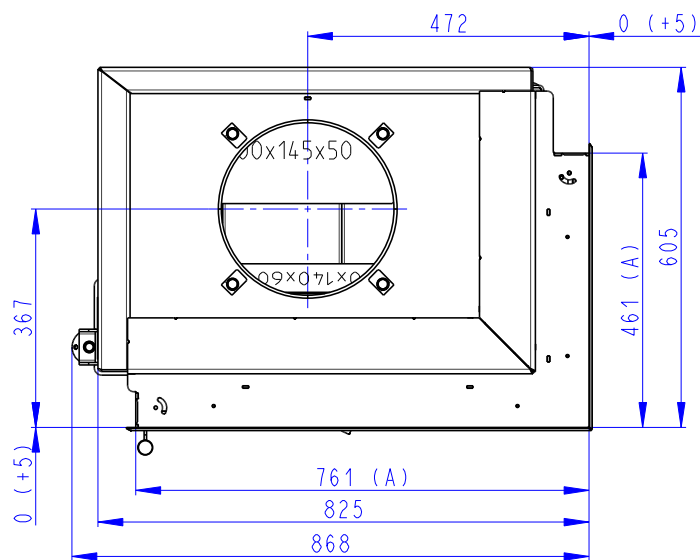
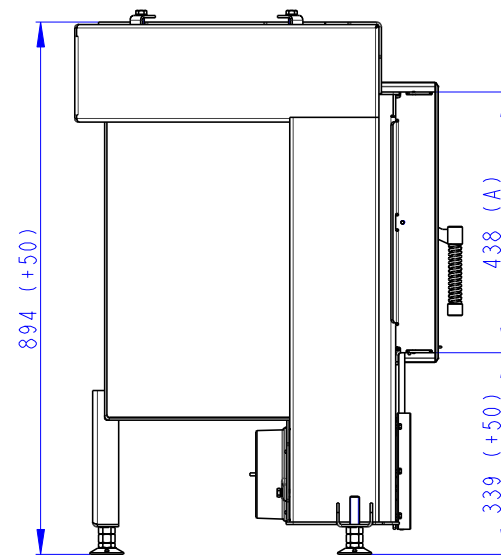
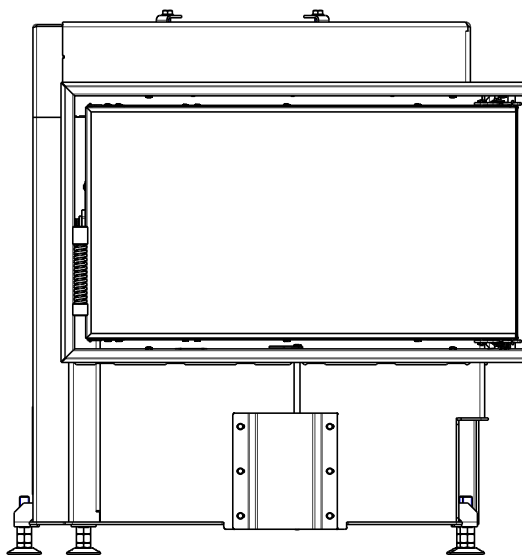
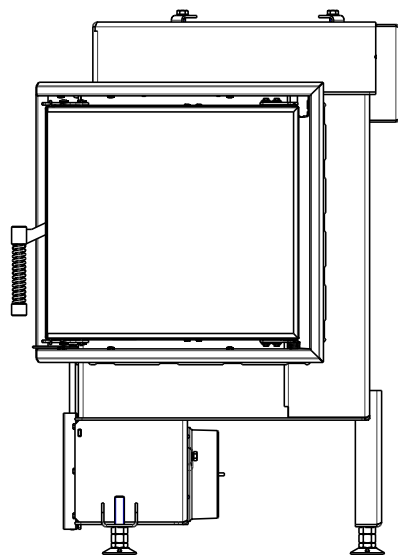
DYNAMIC R 3G S 72.44.42.21
+ DR3SH RAM04



(A) Zastavbovy rozmer / Baumaße / In-built dimension
(C) Centralni privod vzduchu / Central air inlet / Zentralluftzufuhr

Rozmery v mm
Maße in mm
Dimensions in mm

DYNAMIC R 3G S 72.44.42.21
+ DR3SH RAM06

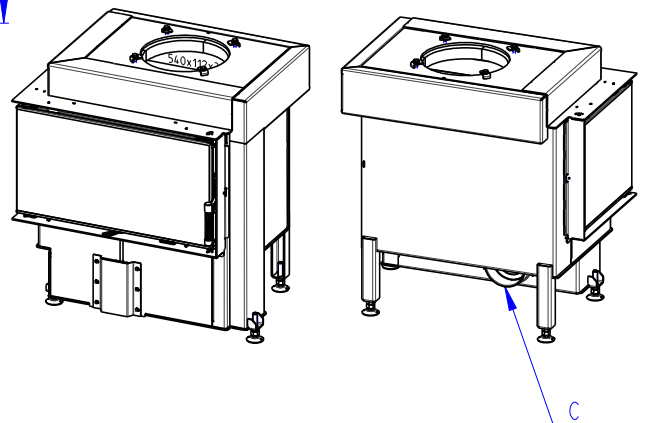
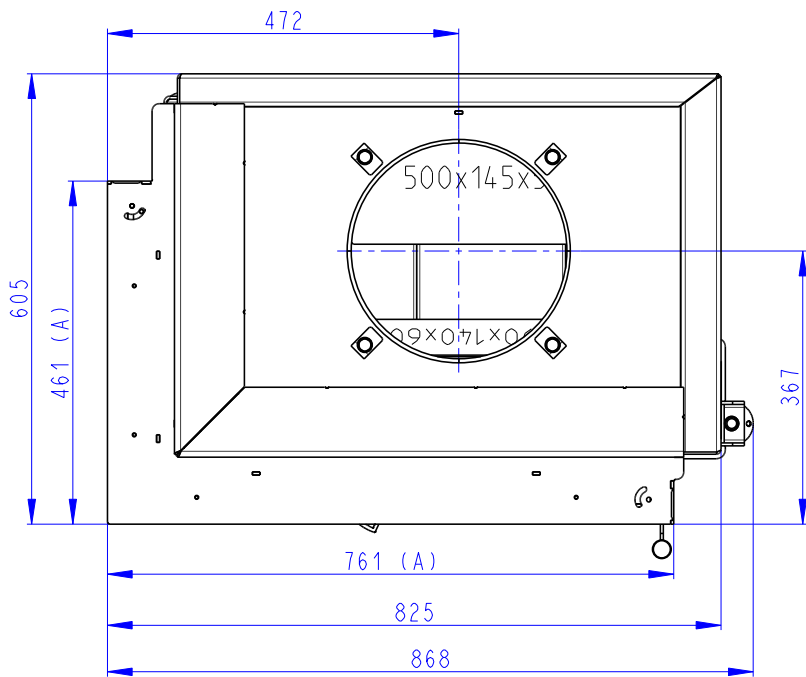
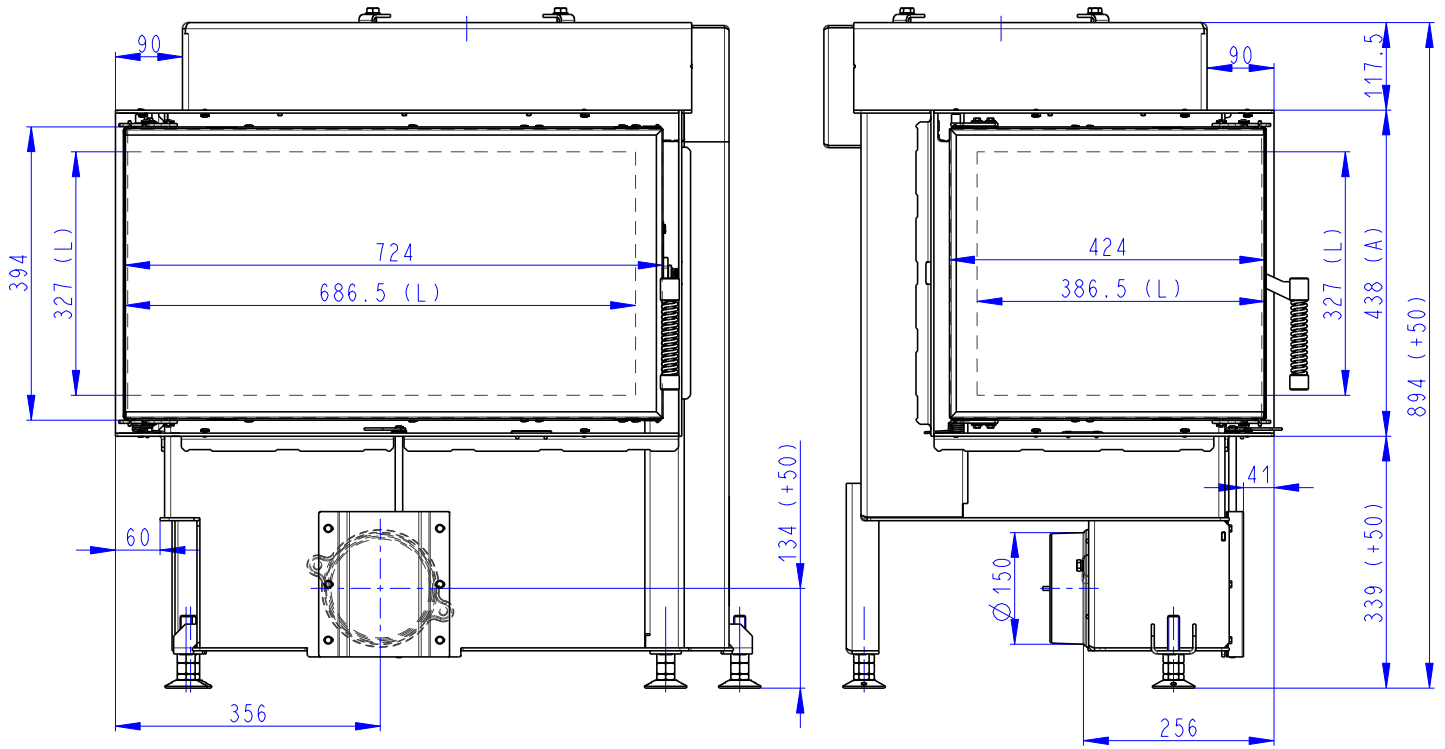


(A) Zastavbovy rozmer / Baumaße / In-built dimension
(C) Centralni privod vzduchu / Central air inlet / Zentralluftzufuhr

Rozmery v mm
 Maße in mm
 Dimensions in mm

DYNAMIC L 3G S 72.44.42.21

222 kg

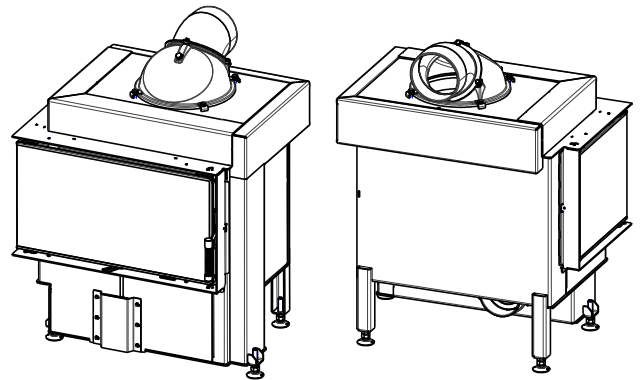
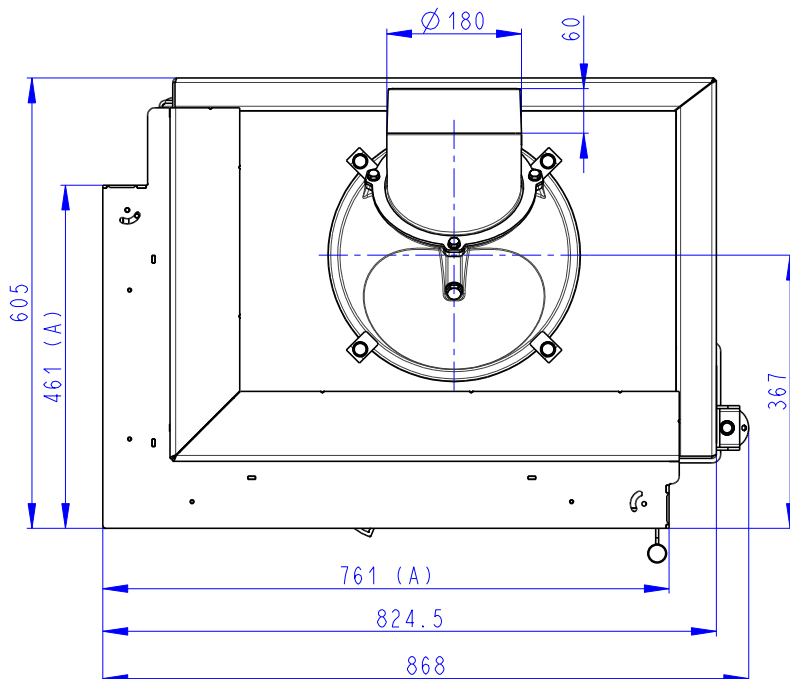
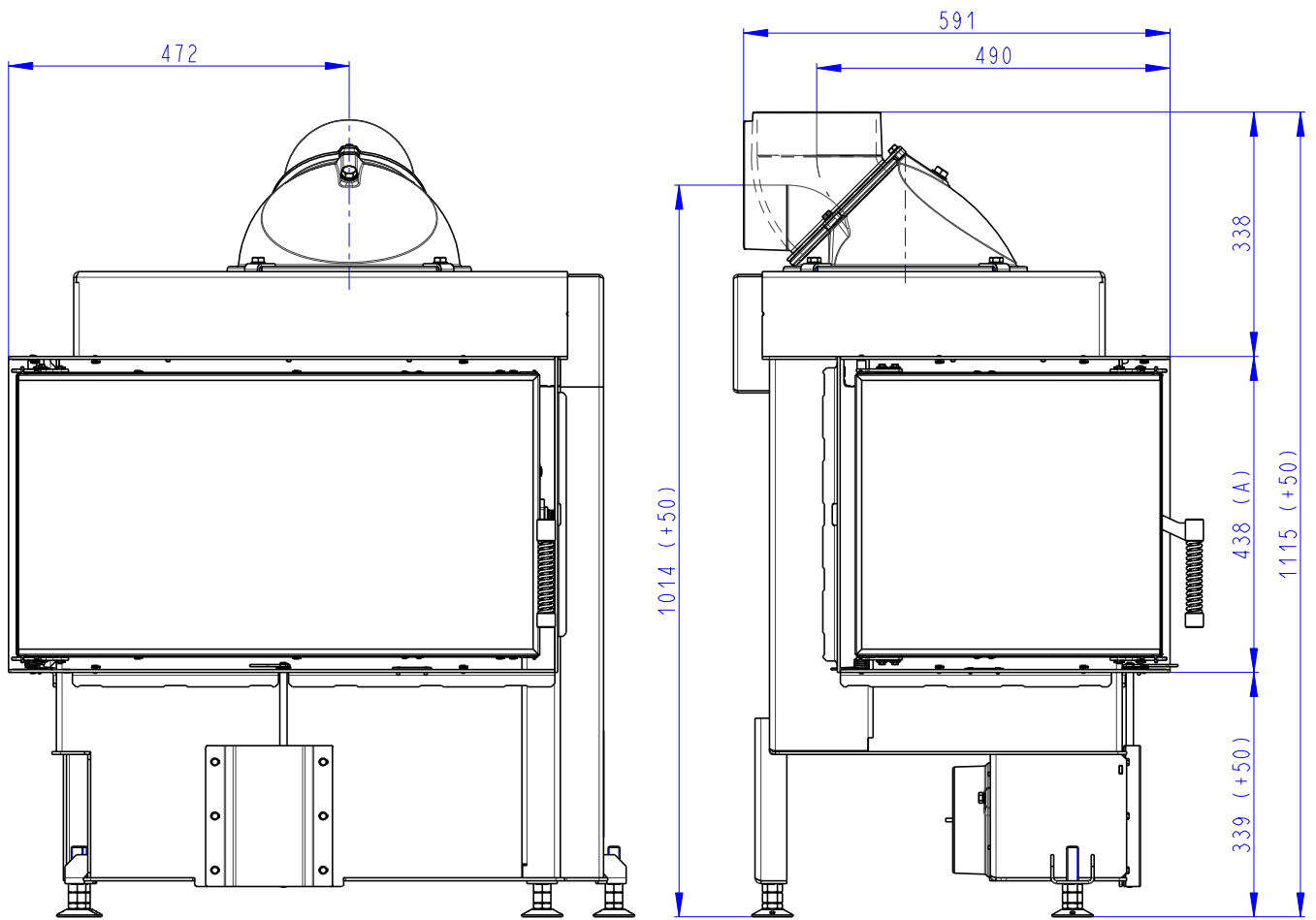


- (A) Zastavbovy rozmer / Baumaße / In-built dimension
- (C) Centralni privod vzduchu / Central air inlet / Zentralluftzufuhr
- (L) Volna plocha proskleni / Free glass area / Freie Glassichtfläche

Rozměry v mm
 Maße in mm
 Dimensions in mm

DYNAMIC L 3G S 72.44.42.21 + D3 KPL 180

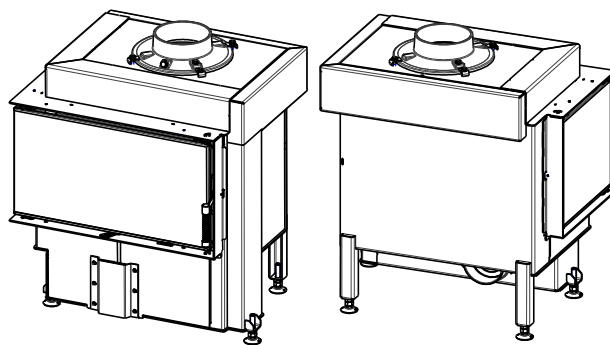
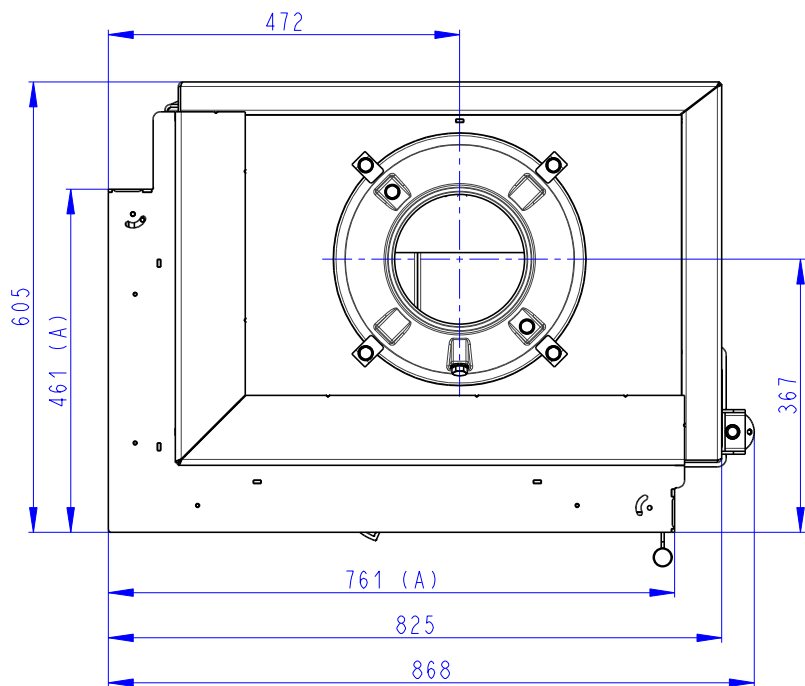
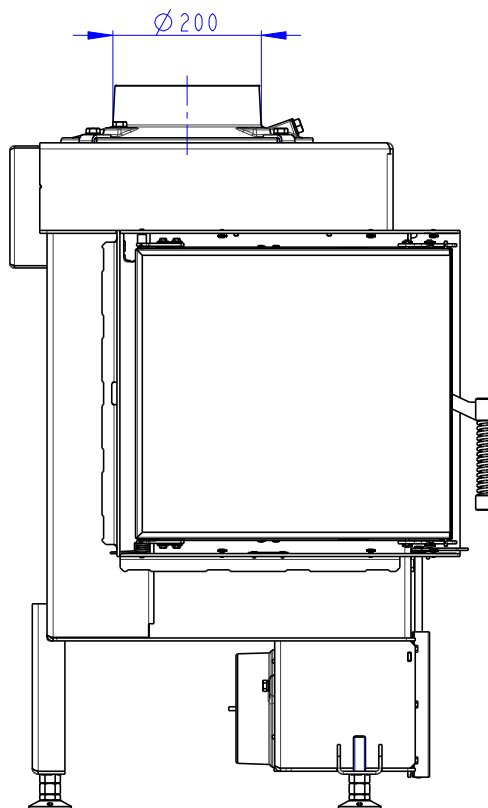
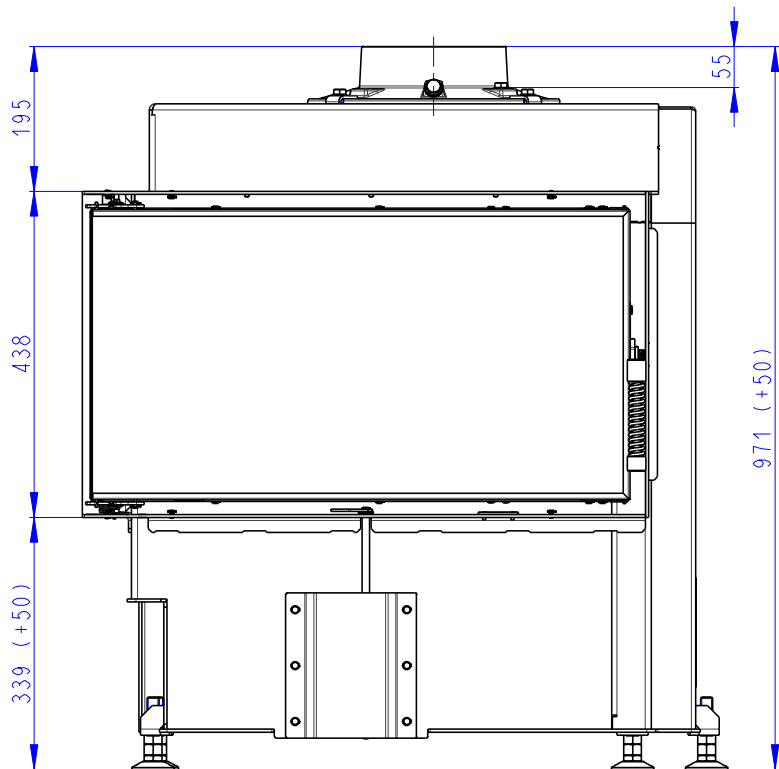
237 kg



(A) Zastavbovy rozmer / Baumaße / In-built dimension
 (C) Centralni privod vzduchu / Central air inlet / Zentralluftzufuhr

Rozměry v mm
 Maße in mm
 Dimensions in mm

DYNAMIC L 3G S 72.44.42.21
 + D3 PR 200
 231 kg

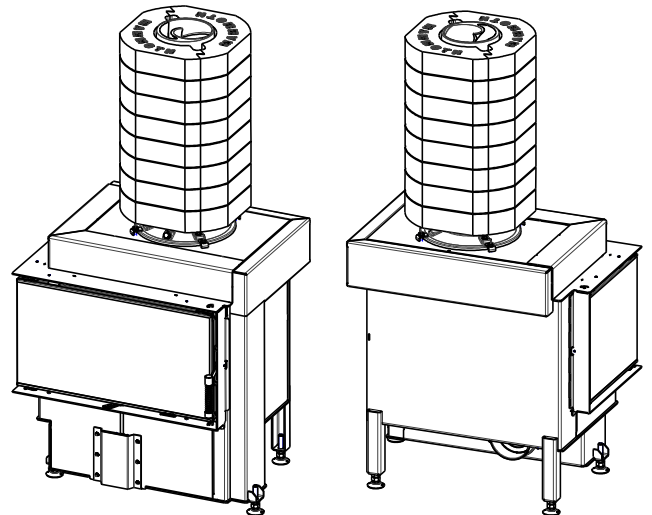
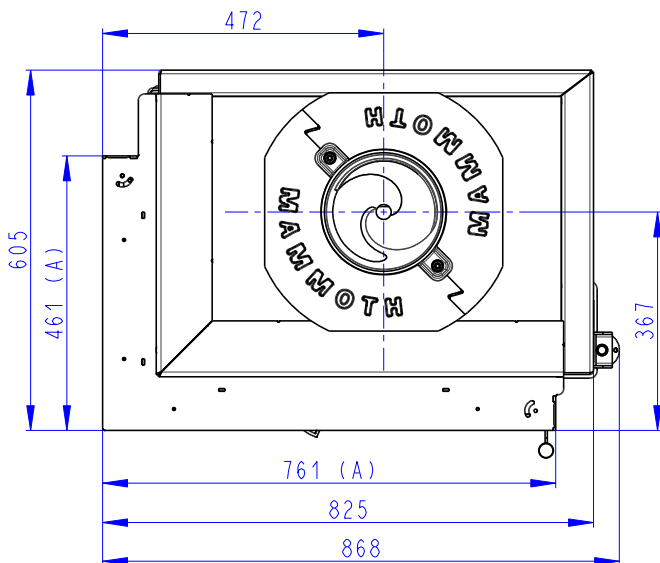
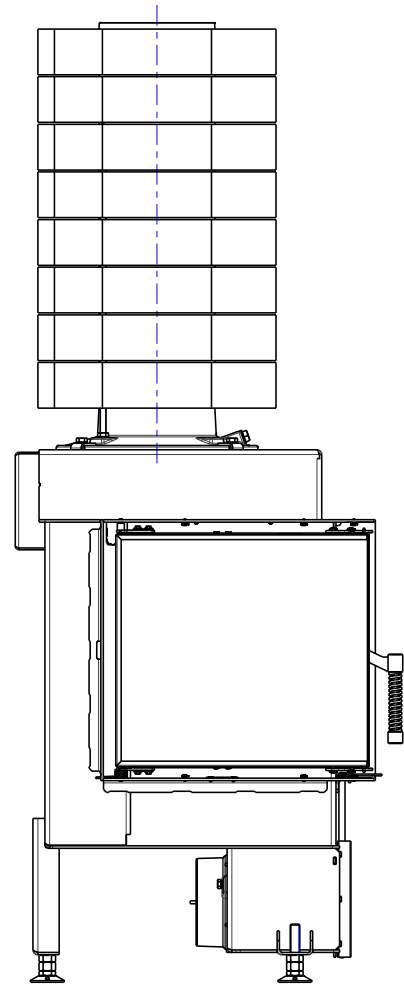
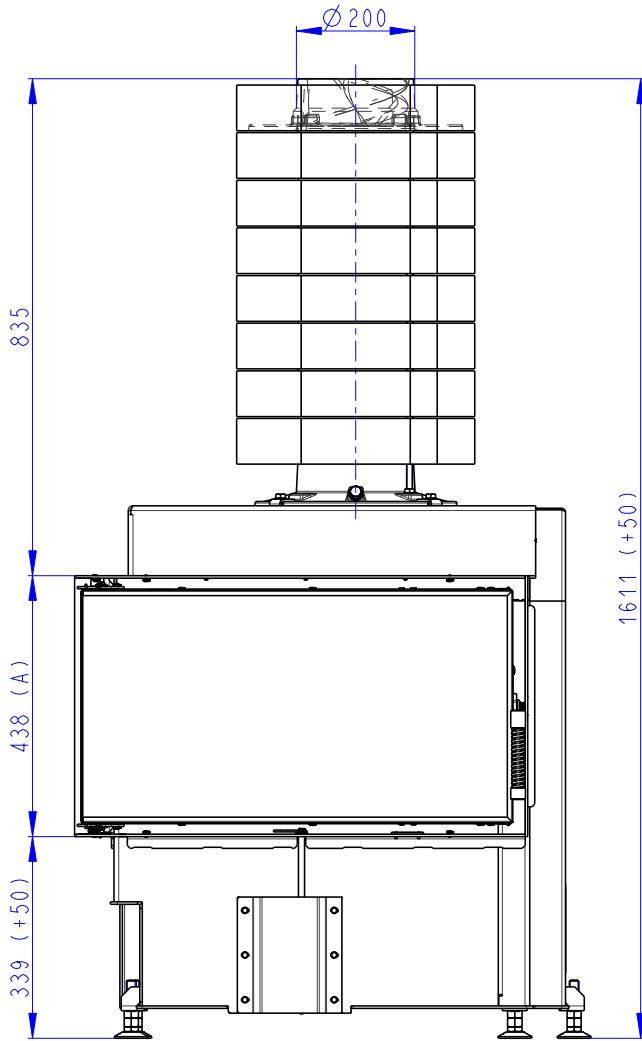


(A) Zastavbovy rozmer / Baumaße / In-built dimension
 (C) Centralni privod vzduchu / Central air inlet / Zentralluftzufuhr

Rozměry v mm
 Maße in mm
 Dimensions in mm

DYNAMIC L 3G S 72.44.42.21
 + D3 PR 200 + AKKUM KV 08B

539 kg

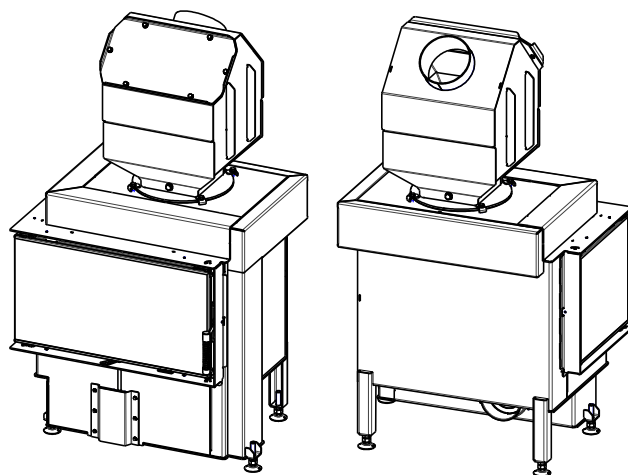
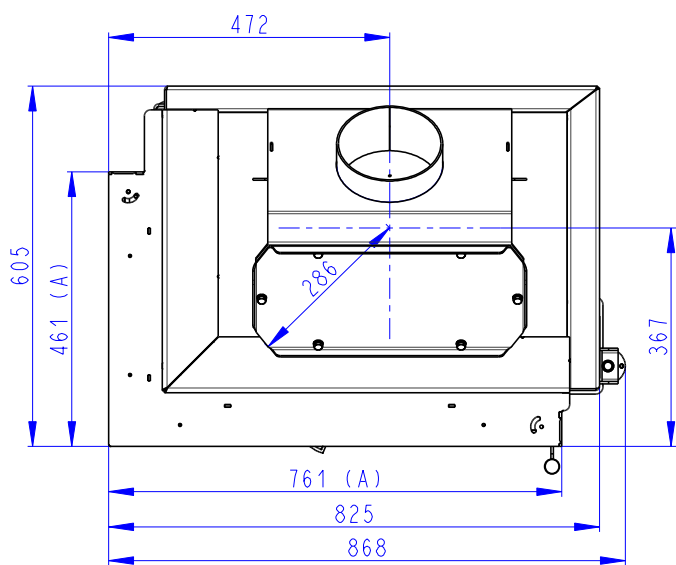
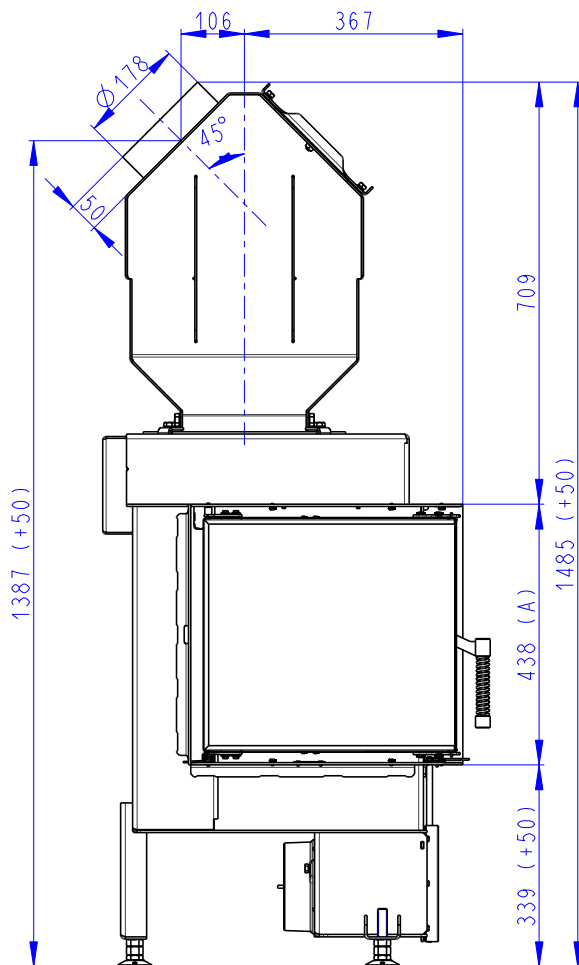
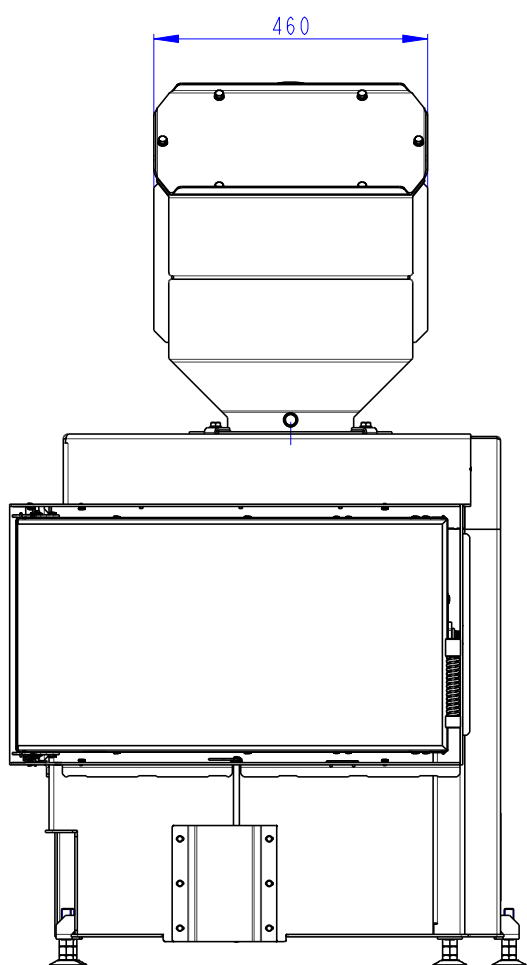


(A) Zastavbovy rozmer / Baumaße / In-built dimension
 (C) Centralni privod vzduchu / Central air inlet / Zentralluftzufuhr

Rozměry v mm
Maße in mm
Dimensions in mm

DYNAMIC L 3G S 72.44.42.21 + D3 VY01

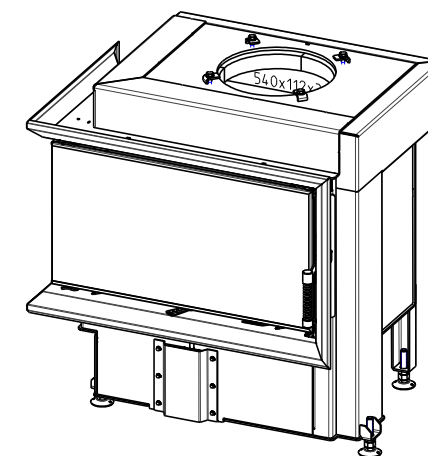
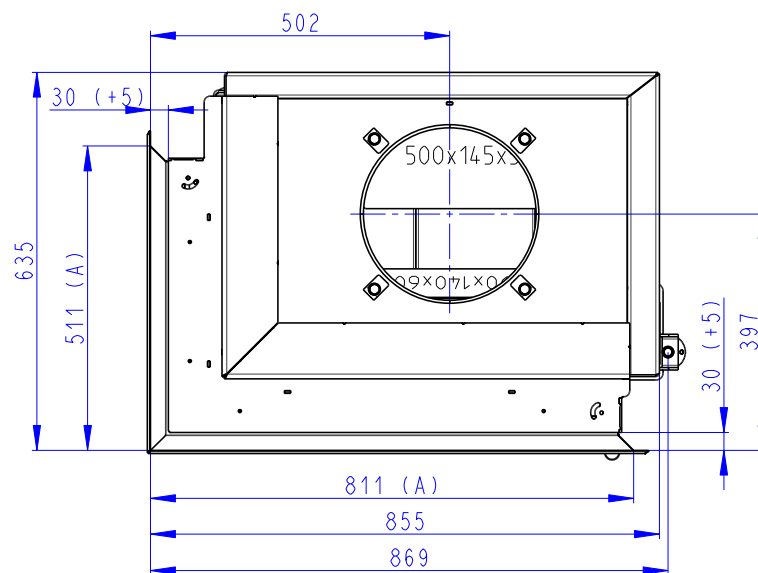
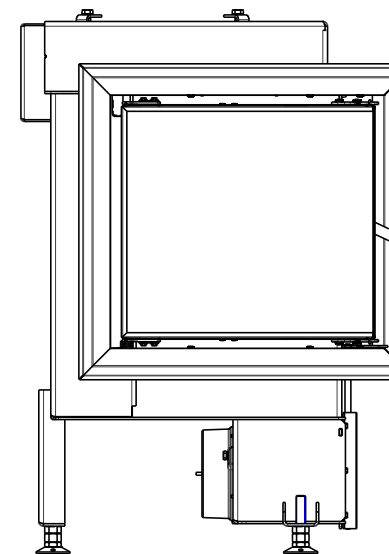
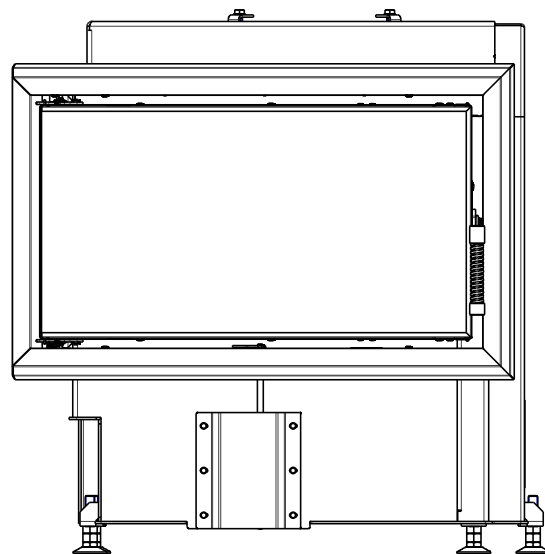
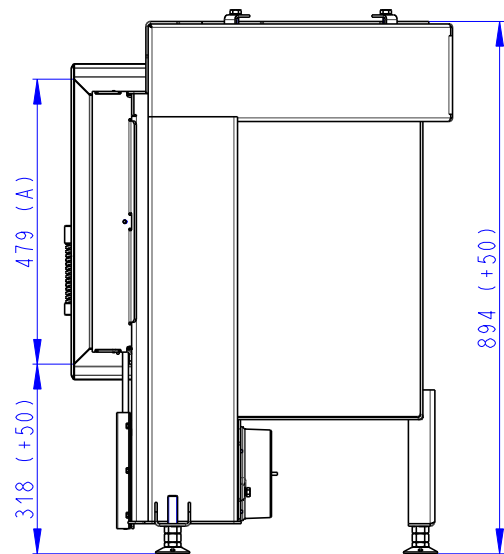
269 kg



(A) Zastavbovy rozmer / Baumaße / In-built dimension
(C) Centralni privod vzduchu / Central air inlet / Zentralluftzufuhr

Rozmery v mm
Maße in mm
Dimensions in mm

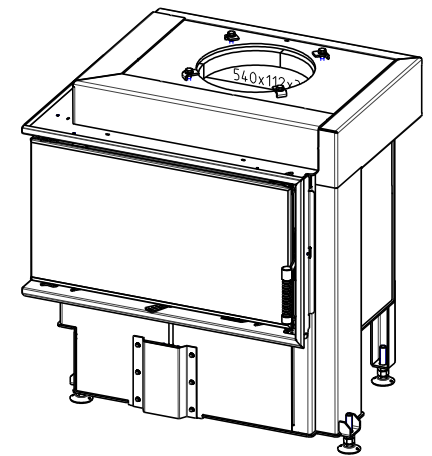
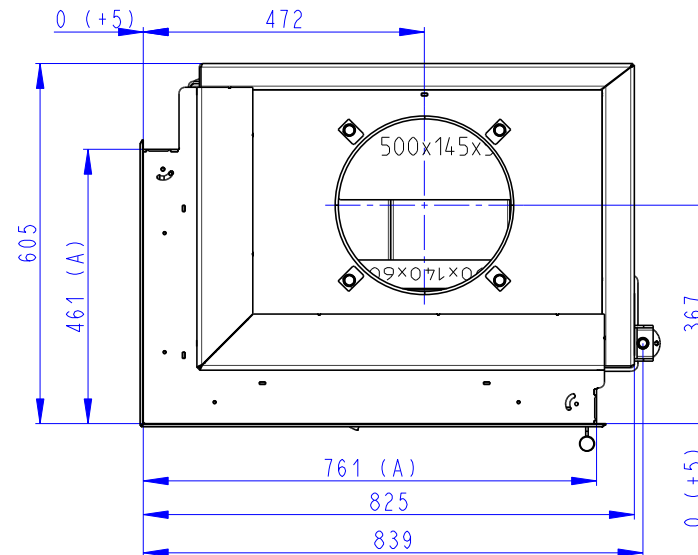
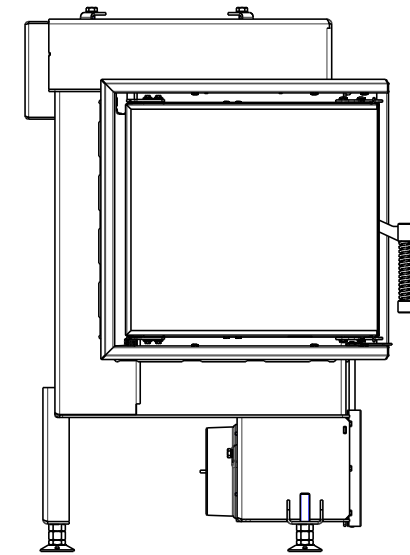
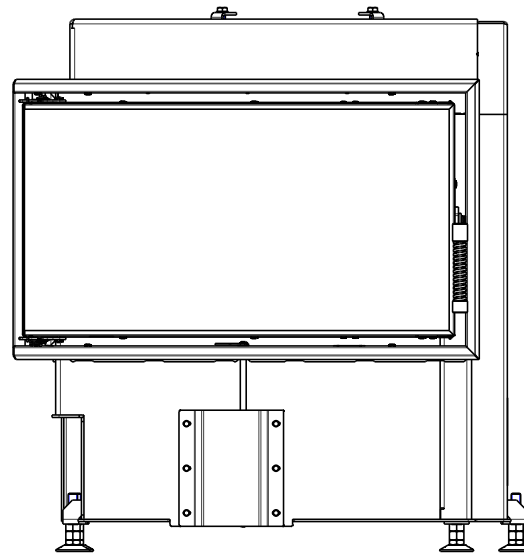
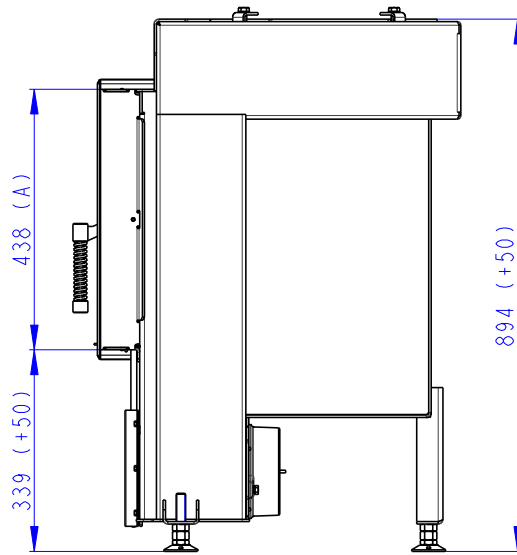
DYNAMIC L 3G S 72.44.42.21
+ DR3SH RAM04



(A) Zastavbovy rozmer / Baumaße / In-built dimension
(C) Centralni privod vzduchu / Central air inlet / Zentralluftzufuhr

Rozměry v mm
Maße in mm
Dimensions in mm

DYNAMIC L 3G S 72.44.42.21
+ DR3SH RAM06



(A) Zastavbovy rozmer / Baumaße / In-built dimension
(C) Centralni privod vzduchu / Central air inlet / Zentralluftzufuhr